

## **Installation Guide**

Mifare Reader Model P160-WBC/ACW

---

### **Specification**

Power requirement ..... 7.5 -15VDC / 150mA max  
Cable distance ..... Wiegand - 500 feet max  
                                RS485 - 1000 feet max  
Temperature ..... -10 °C to +50 °C  
Cards ..... ISO14443-A Mifare classic  
Reading distance ..... 5cm max

### **Parts Included**

1 – Mifare Reader Model P160-WBC/ACW  
1 – Rubber wall seal  
2 – Screws M3.5 x 30mm  
2 – Screws M3.5 x 50mm  
2 – Screws M3.5 x 75mm  
1 – Adhesive label  
1 – Installation manual

### **Recommended for installation**

1 – Cable, 4 conductors (Wiegand or RS485), 22AWG Shielded  
1 – Linear DC power supply  
1 – Metal or plastic 13A junction box  
1 – Flat blade screwdriver

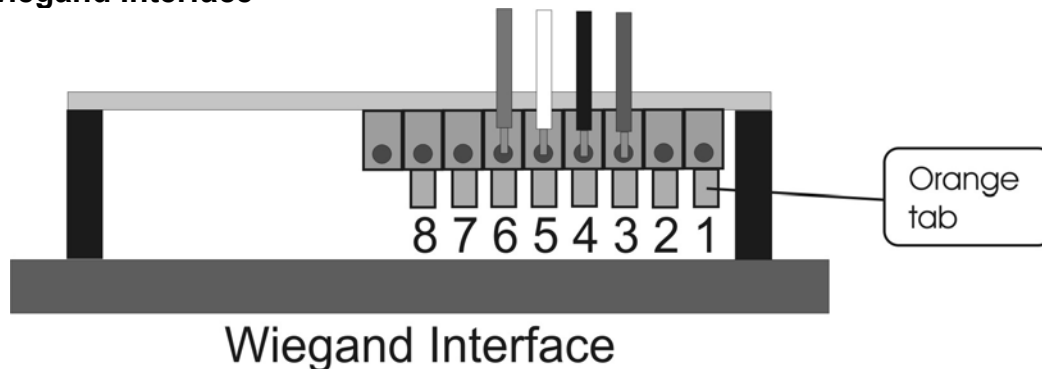
## Installation Guide

Mifare Reader Model P160-WBC/ACW

### Installation

Connect the reader to a suitable external controller using 22AWG shielded cable with a minimum of 4 conductors.

### Wiegand Interface



Please note that depending on configuration not all positions on the interface might be fitted.

To connect the wire, push back the orange tab above the position and then insert the stripped and tinned wire. Release the orange tab to lock the wire.

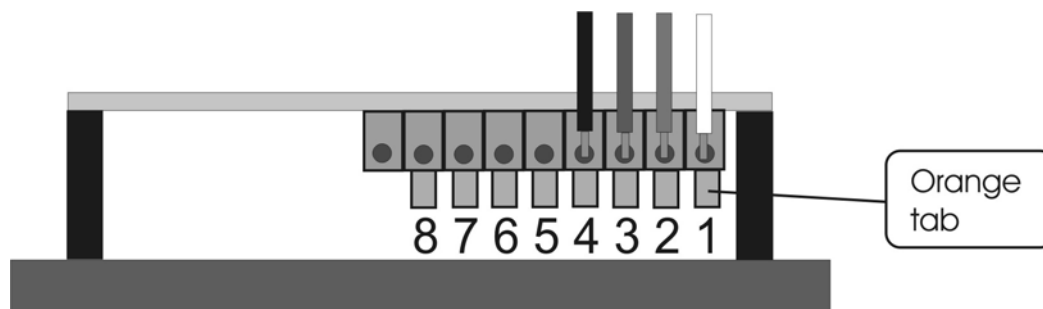
PIN	COLOUR	DESCRIPTION
1	--	NC
2	--	NC
3	RED	+DC supply (7.5-15Vdc)
4	BLACK	GROUND
5	WHITE	DATA + (Wiegand)
6	GREEN	DATA - (Wiegand)
7	--	NC
8	--	NC

Note: NC denotes "No Connection"

## Installation Guide

Mifare Reader Model P160-WBC/ACW

### RS422/485 Interface



### RS422/485 Interface

Please note that depending on configuration not all positions on the interface might be fitted.

To connect the wire, push back the orange tab above the position and then insert the stripped and tinned wire. Release the orange tab to lock the wire.

PIN	COLOUR	DESCRIPTION
1	WHITE	DATA - (RS422/485)
2	GREEN	DATA - (RS422/485))
3	RED	+DC supply (7.5-15Vdc)
4	BLACK	GROUND
5	--	NC
6	--	NC
7	--	NC
8	--	NC

### RELAY

An optional external 5Vdc relay may be connected to the reader using pins 7 and 8.

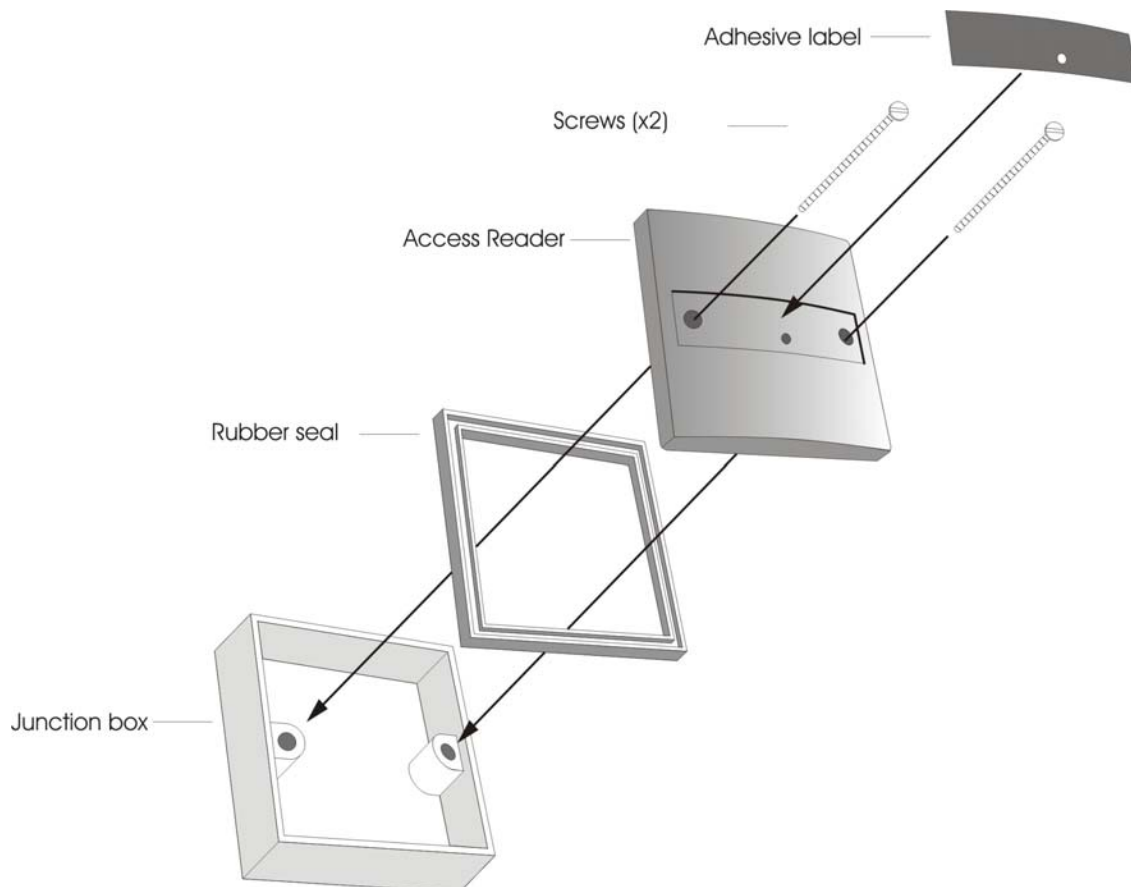
PIN	COLOUR	DESCRIPTION
7		RELAY -
8		RELAY +

## Installation Guide

Mifare Reader Model P160-WBC/ACW

### ASSEMBLY

Fit the P160-WBC/ACW to a suitable metal or plastic wall mounted junction box using suitable length screws provided ensuring that the rubber seal is inserted between reader and wall junction box.



Finally fix the adhesive label to the space provided on the front of the reader observing correct orientation.

### TESTING

Turn the power on. Watch the LED flash amber to show it is scanning for cards.

If a successfully decoded card (depending upon software) is encountered the unit will beep briefly and the LED will show green.

If the card is not recognised or is not successfully decoded the red LED will show.

